



AZ-800AR Liquid Soap Dispenser (Manual)



Product Feature :

- Aesthetic design easy to fix in any interior
- Hand soap dispenser with HDPE container
- Tube system with suction concept design
- New improved check valve to avoid congestion
- PC material for mechanism hand press
- Hand Press Material with Ag+ Silver Ion (antibacterial properties)
- Hidden lock design with keyless feature
- Contain up to 800ml
- 0.4 ml per shot
- 2 in 1 Design

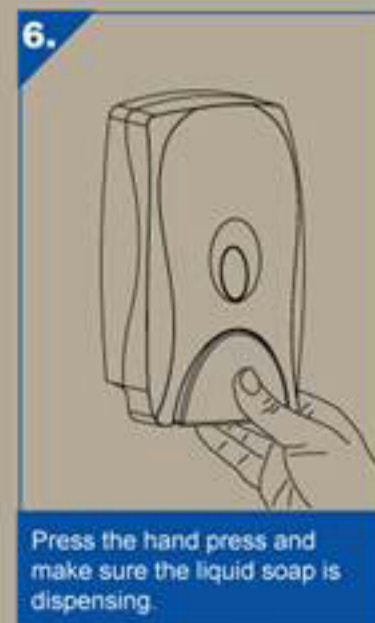
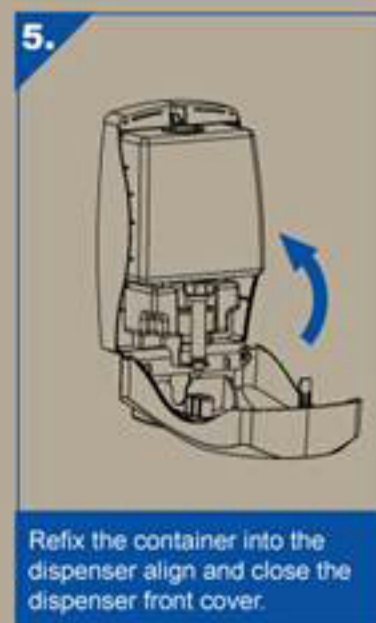
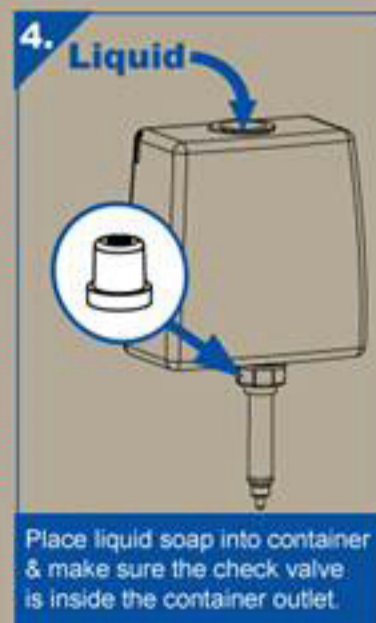
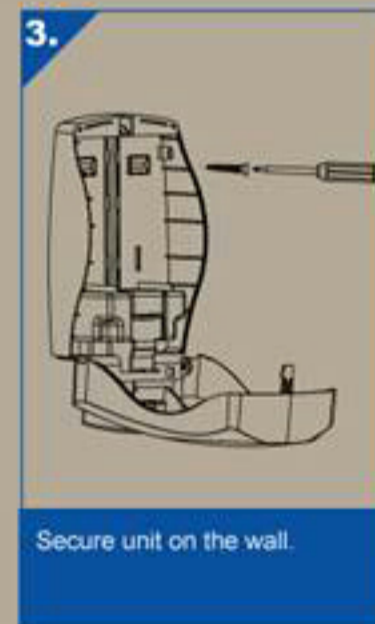
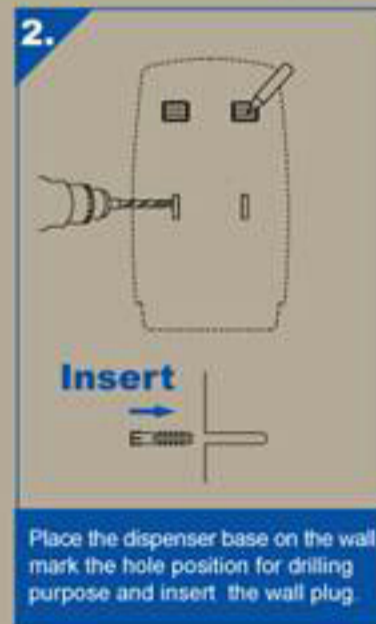
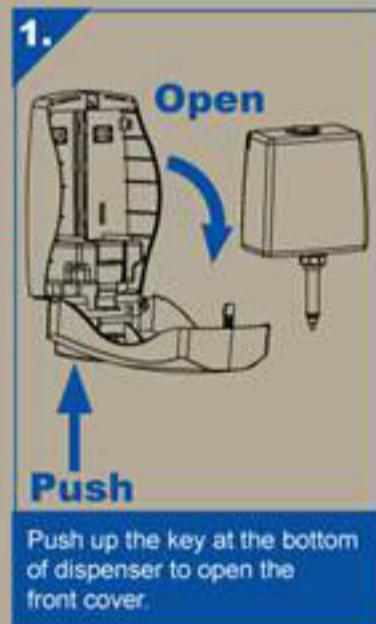


Refillable Container



Disposable Cartridge

Installation Manual :



Product Dimension :

